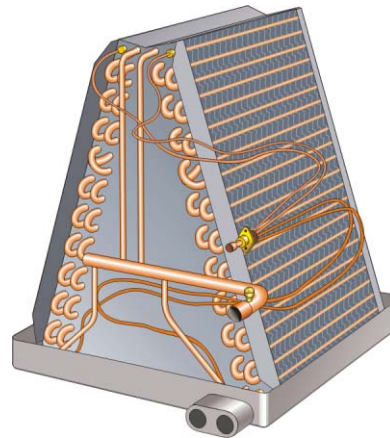
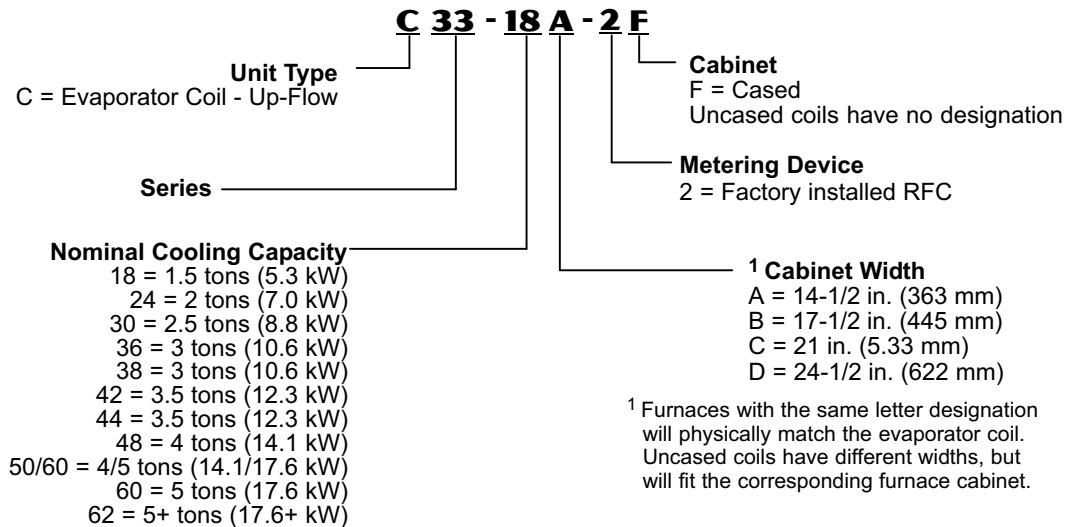


### UP-FLOW EVAPORATOR COILS CASED AND UNCASSED Nominal Capacity - 1.5 to 5 ton

Bulletin No. 210280  
November 2003  
Supersedes January 2000



#### MODEL NUMBER IDENTIFICATION



#### FEATURES

##### CONTENTS

Air Resistance ..... Page 5  
 Dimensions ..... Pages 6-8  
 Features ..... Pages 1-2  
 Model Number Identification ..... Page 1  
 Optional Accessories ..... Page 2  
 Specifications ..... Pages 3-4

##### EQUIPMENT WARRANTY

All covered components — Five year warranty in residential applications, one year warranty in non-residential applications. Refer to Lennox Equipment Limited Warranty certificate included with equipment for details.

##### APPLICATIONS

Applicable to expansion valve or RFCIV systems. RFCIV metering device is factory installed in C33 coils. RFCIV systems are applicable to condensing units only. Expansion valve systems require field installed kit. See condensing units bulletins (section Condensing Units) for evaporator unit applications and cooling capacities. See heat pump outdoor units bulletins (section Heat Pumps Outdoor Units) for indoor coil applications and cooling and heating capacities. See FM21® bulletin (section - Controls) for more information about heat pump systems.

Visit us at [www.lennox.com](http://www.lennox.com)  
 For the latest technical information, [www.davenet.com](http://www.davenet.com)

NOTE - Due to Lennox' ongoing commitment to quality, Specifications, Ratings and Dimensions subject to change without notice and without incurring liability. Improper installation, adjustment, alteration, service or maintenance can cause property damage or personal injury. Installation and service must be performed by a qualified installer and servicing agency.

## FEATURES

### FULLY TESTED

Tested with matching condensing and heat pump units.  
Rated in accordance with ARI Standard 210/240-94 conditions and DOE test procedures.  
Air resistance tests from Lennox Laboratory air test chamber.

### COIL CONSTRUCTION

Durable copper tubing.  
Ripple-edged aluminum fins.  
Lanced fins provide maximum exposure of fin surface to air stream.  
Rifled tubing provides superior refrigerant heat transfer.  
Twin coil construction assembled in a "A" configuration for large surface area.  
Non-corrosive, UV-resistant polymer drain pan with dual fpt drain connections.  
Liquid line seal nut section furnished for installation of expansion valve or RFCIV orifice.  
Sweat connections on both liquid and suction lines.  
Piping patch plate furnished with uncased coils.  
High pressure testing insures leakproof construction.

### CABINET CONSTRUCTION - CASED (F) COILS

Cabinets insulated with thick fiberglass insulation.  
Constructed of pre-painted heavy gauge steel.  
Flanges provided in outlet opening of cabinet for ease of plenum connection.  
Engaging holes furnished on cabinet for alignment with furnace.  
Removable panels provide access to coil.  
See dimension drawing.

### FURNACE MATCH-UP

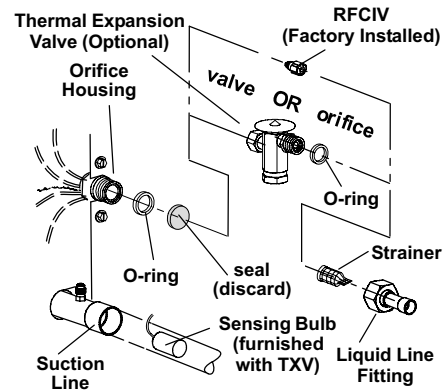
All cased coils exactly match corresponding furnaces with same letter designation in model number. No adaptor required. Engaging holes furnished on cabinet for alignment.  
Uncased coils match furnaces without any overhang but require optional adaptor base or field fabricated transition to match furnace opening.

## OPTIONAL ACCESSORIES - MUST BE ORDERED EXTRA

### ADJUSTABLE COIL ADAPTOR/SEAL FOR UNCASSED COILS

Telescoping adaptor provides quick and easy installation in wide variety of applications.  
See dimension drawings and application drawings.  
Available in single or ten pack kits.

## REFRIGERANT CONTROL CHOICE



All models applicable to Lennox RFCIV refrigerant metering system when matched with HS29/10ACC condensing unit.  
10ACC condensing units use RFCIV orifice that is factory installed in the C33 coil. HS29 units use RFCIV orifice that is shipped with the condensing unit.  
Optional expansion valve is required with all other condensing unit applications.  
Optional check and expansion valve is required with all heat pump applications.  
Expansion valve or check and expansion valve provides a wider and more efficient capacity rating.

### Refrigerant Flow Control IV

RFCIV accurately meters refrigerant in system.  
Refrigerant control is accomplished by exact sizing of refrigerant metering orifice.  
Principle of Lennox RFCIV system involves matching evaporator coil with proper bore size of orifice in metering device.  
RFCIV system equalizes pressure shortly after compressor stops, unit starts unloaded, eliminating need for additional controls.

### EXPANSION VALVE KITS

Expansion valve available for field installation.  
See condensing unit bulletins for expansion valve kit selection.  
See heat pump outdoor unit bulletins for check and expansion valve kit selection.

## AIR RESISTANCE

Model No.	Air Volume		Total Air Resistance			
	cfm	L/s	Dry Coil		Wet Coil	
			in. w.g.	Pa	in. w.g.	Pa
C33-18A-2	200	95	0.03	7	0.04	10
	400	190	0.08	20	0.09	22
	600	285	0.14	35	0.17	42
	800	380	0.22	55	0.29	72
	1000	470	0.31	77	0.42	104
C33-24A-2 C33-24B-2 C33-24C-2	400	190	0.06	15	0.08	20
	600	285	0.11	27	0.17	42
	800	380	0.18	45	0.25	62
	1000	470	0.27	67	0.39	97
	1200	565	0.37	92	0.52	129
C33-30A-2 C33-30B-2 C33-30C-2	600	285	0.09	22	0.12	30
	800	380	0.14	35	0.21	52
	1000	470	0.22	55	0.30	75
	1200	565	0.30	75	0.43	107
	1400	660	0.40	99	0.55	137
C33-36A-2	800	380	0.13	32	0.14	35
	1000	470	0.19	47	0.21	52
	1200	565	0.27	67	0.30	75
	1400	660	0.34	85	0.39	97
	1600	760	0.45	112	0.51	127
C33-36B-2 C33-36C-2 C33-38B-2 C33-48B-2	800	380	0.08	20	0.11	27
	1000	470	0.13	32	0.16	40
	1200	565	0.17	42	0.21	52
	1400	660	0.22	55	0.28	70
	1600	760	0.29	72	0.34	85
C33-38A-2	800	380	0.13	32	0.14	35
	1000	470	0.19	47	0.21	52
	1200	565	0.27	67	0.30	75
	1400	660	0.34	85	0.39	97
	1600	755	0.45	112	0.51	127
C33-42B-2	1000	470	0.13	32	0.16	40
	1200	565	0.17	42	0.21	52
	1400	660	0.22	55	0.28	70
	1600	755	0.29	72	0.34	85
	1800	850	0.34	85	0.42	104
C33-44C-2 C33-48C-2 C33-50/60C-2	1200	565	0.13	32	0.17	42
	1400	660	0.18	45	0.23	57
	1600	755	0.23	57	0.29	72
	1800	850	0.28	70	0.37	92
	2000	945	0.34	85	0.43	107
C33-60D-2 C33-62D-2	1400	660	0.11	27	0.15	37
	1600	755	0.14	35	0.18	45
	1800	850	0.17	42	0.21	52
	2000	945	0.21	52	0.27	67
	2200	1040	0.25	62	0.32	80
	2400	1135	0.30	75	0.37	92

## SPECIFICATIONS - UNCASSED

General Data		Model No.	C33-18A-2	C33-24A-2	C33-24B-2	C33-24C-2	C33-30A-2	C33-30B-2	C33-30C-2
Nominal size - tons			1.5	2	2	2	2.5	2.5	2.5
Line Connections	Suction/Vapor o.d. - in. (mm) sweat		3/4 (19)	3/4 (19)	3/4 (19)	3/4 (19)	3/4 (19)	3/4 (19)	3/4 (19)
	Liquid o.d. - in. (mm) sweat		3/8 (9.5)	3/8 (9.5)	3/8 (9.5)	3/8 (9.5)	3/8 (9.5)	3/8 (9.5)	3/8 (9.5)
	Condensate drain (fpt) - in. (mm)		(2) 3/4 (19)	(2) 3/4 (19)	(2) 3/4 (19)	(2) 3/4 (19)	(2) 3/4 (19)	(2) 3/4 (19)	(2) 3/4 (19)
RFCIV metering device orifice size			0.055	0.062	0.062	0.062	0.068	0.068	0.068
Evaporator Coil	Net face area - sq. ft. (m <sup>2</sup> )		2.22 (0.21)	3.11 (0.29)	3.11 (0.29)	3.11 (0.29)	4.0 (0.37)	4.0 (0.37)	4.0 (0.37)
	Tube diameter - in. (mm)		3/8 (9.5)	3/8 (9.5)	3/8 (9.5)	3/8 (9.5)	3/8 (9.5)	3/8 (9.5)	3/8 (9.5)
	Number of rows		2	2	2	2	2	2	2
	Fins per inch (m)		18 (709)	18 (709)	18 (709)	18 (709)	18 (709)	18 (709)	18 (709)
Matching Lennox Furnace	Cabinet Width Designation		A	A	B	C	A	B	C
	<sup>1</sup> Coil and Furnace Cabinet Width - in.		14-1/2	14-1/2	17-1/2	21	14-1/2	17-1/2	21
	mm		368	368	445	533	368	445	533
Shipping Data	lbs. (kg) - 1 package		14 (6)	18 (8)	20 (9)	25 (11)	22 (10)	23 (10)	28 (13)

### OPTIONAL ACCESSORIES - MUST BE ORDERED EXTRA

Adjustable Coil Adaptor/Seal	Single	81J46	81J46	81J46	81J46	81J46	81J46	81J46
	Ten Pack	11L09	11L09	11L09	11L09	11L09	11L09	11L09

<sup>1</sup> Uncased coils match furnaces without any overhang but require optional adaptor base or field fabricated transition to match furnace width.

## SPECIFICATIONS - UNCASSED

General Data		Model No.	C33-36A-2	C33-36B-2	C33-36C-2	C33-38A-2	C33-38B-2	C33-42B-2
Nominal size - tons			3	3	3	3	3	3.5
Line Connections	Suction/Vapor o.d. - in. (mm) sweat		3/4 (19)	3/4 (19)	3/4 (19)	3/4 (19)	3/4 (19)	7/8 (22.2)
	Liquid o.d. - in. (mm) sweat		3/8 (9.5)	3/8 (9.5)	3/8 (9.5)	3/8 (9.5)	3/8 (9.5)	3/8 (9.5)
	Condensate drain (fpt) - in. (mm)		(2) 3/4 (19)	(2) 3/4 (19)	(2) 3/4 (19)	(2) 3/4 (19)	(2) 3/4 (19)	(2) 3/4 (19)
RFCIV metering device orifice size			0.073	0.073	0.073	0.073	0.073	0.080
Evaporator Coil	Net face area - sq. ft. (m <sup>2</sup> )		4.89 (0.45)	4.89 (0.45)	4.89 (0.45)	4.89 (0.45)	4.89 (0.45)	4.89 (0.45)
	Tube diameter - in. (mm)		3/8 (9.5)	3/8 (9.5)	3/8 (9.5)	3/8 (9.5)	3/8 (9.5)	3/8 (9.5)
	Number of rows		2	2	2	3	3	2
	Fins per inch (m)		18 (709)	18 (709)	18 (709)	14 (552)	14 (552)	18 (709)
Matching Lennox Furnace	Cabinet Width Designation		A	B	C	A	B	B
	<sup>1</sup> Coil and Furnace Cabinet Width - in.		14-1/2	17-1/2	21	14-1/2	17-1/2	17-1/2
	mm		368	445	533	368	445	445
Shipping Data	lbs. (kg) - 1 package		26 (12)	27 (27)	29 (13)	31 (14)	33 (15)	27 (12)

### OPTIONAL ACCESSORIES - MUST BE ORDERED EXTRA

Adjustable Coil Adaptor/Seal	Single	81J46	81J46	81J46	81J46	81J46	81J46
	Ten Pack	11L09	11L09	11L09	11L09	11L09	11L09

<sup>1</sup> Uncased coils match furnaces without any overhang but require optional adaptor base or field fabricated transition to match furnace width.

## SPECIFICATIONS - UNCASSED

General Data		Model No.	C33-44C-2	C33-48B-2	C33-48C-2	C33-50/60C-2	C33-60D-2	C33-62D-2
Nominal size - tons			3.5	4	4	4/5	5	5
Line Connections (o.d.)	Suction/Vapor - in. (mm) sweat		7/8 (22.2)	7/8 (22.2)	7/8 (22.2)	7/8 (22.2)	7/8 (22.2)	7/8 (22.2)
	Liquid - in. (mm) sweat		3/8 (9.5)	3/8 (9.5)	3/8 (9.5)	3/8 (9.5)	3/8 (9.5)	3/8 (9.5)
	Condensate drain (fpt) - in. (mm)		(2) 3/4 (19)	(2) 3/4 (19)	(2) 3/4 (19)	(2) 3/4 (19)	(2) 3/4 (19)	(2) 3/4 (19)
RFCIV metering device orifice size			0.080	0.084	0.084	0.084	0.092	0.092
Evaporator Coil	Net face area - sq. ft. (m <sup>2</sup> )		4.89 (0.45)	4.89 (0.45)	4.89 (0.45)	5.78 (0.54)	6.50 (0.60)	7.58 (0.70)
	Tube diameter - in. (mm)		3/8 (9.5)	3/8 (9.5)	3/8 (9.5)	3/8 (9.5)	3/8 (9.5)	3/8 (9.5)
	Number of rows		3	3	3	3	3	3
	Fins per inch (m)		12 (472)	12 (472)	12 (472)	12 (472)	12 (472)	14 (552)
Matching Lennox Furnace	Cabinet Width Designation		C	B	C	C	D	D
	<sup>1</sup> Coil and Furnace Cabinet Width - in.		21	17-1/2	21	21	24-1/2	24-1/2
	mm		533	445	533	533	622	622
Shipping Data	lbs. (kg) - 1 package		34 (15)	33 (15)	35 (16)	40 (18)	42 (19)	48 (23)

### OPTIONAL ACCESSORIES - MUST BE ORDERED EXTRA

Adjustable Coil Adaptor/Seal	Single	81J46	81J46	81J46	81J46	81J46	81J46
	Ten Pack	11L09	11L09	11L09	11L09	11L09	11L09

<sup>1</sup> Uncased coils match furnaces without any overhang but require optional adaptor base or field fabricated transition to match furnace width.

## SPECIFICATIONS - CASED

General Data		Model No.	C33-18A-2F	C33-24A-2F	C33-24B-2F	C33-24C-2F	C33-30A-2F	C33-30B-2F	C33-30C-2F
Nominal size - tons			1.5	2	2	2	2.5	2.5	2.5
Line Connections	Suction/Vapor o.d. - in. (mm) sweat		3/4 (19)	3/4 (19)	3/4 (19)	3/4 (19)	3/4 (19)	3/4 (19)	3/4 (19)
	Liquid o.d. - in. (mm) sweat		3/8 (9.5)	3/8 (9.5)	3/8 (9.5)	3/8 (9.5)	3/8 (9.5)	3/8 (9.5)	3/8 (9.5)
	Condensate drain (fpt) - in. (mm)		(2) 3/4 (19)	(2) 3/4 (19)	(2) 3/4 (19)	(2) 3/4 (19)	(2) 3/4 (19)	(2) 3/4 (19)	(2) 3/4 (19)
RFCIV metering device orifice size			0.055	0.062	0.062	0.062	0.068	0.068	0.068
Evaporator Coil	Net face area - sq. ft. (m <sup>2</sup> )		2.22 (0.21)	3.11 (0.29)	3.11 (0.29)	3.11 (0.29)	4.0 (0.37)	4.0 (0.37)	4.0 (0.37)
	Tube diameter - in. (mm)		3/8 (9.5)	3/8 (9.5)	3/8 (9.5)	3/8 (9.5)	3/8 (9.5)	3/8 (9.5)	3/8 (9.5)
	Number of rows		2	2	2	2	2	2	2
	Fins per inch (m)		18 (709)	18 (709)	18 (709)	18 (709)	18 (709)	18 (709)	18 (709)
Matching Lennox Furnace	Cabinet Width Designation		A	A	B	C	A	B	C
	Coil and Furnace Cabinet Width - in.		14-1/2	14-1/2	17-1/2	21	14-1/2	17-1/2	21
	mm		368	368	445	533	368	445	533
Shipping Data	lbs. (kg) - 1 package		27 (12)	31 (14)	31 (14)	39 (18)	37 (17)	40 (18)	46 (21)

## SPECIFICATIONS - CASED

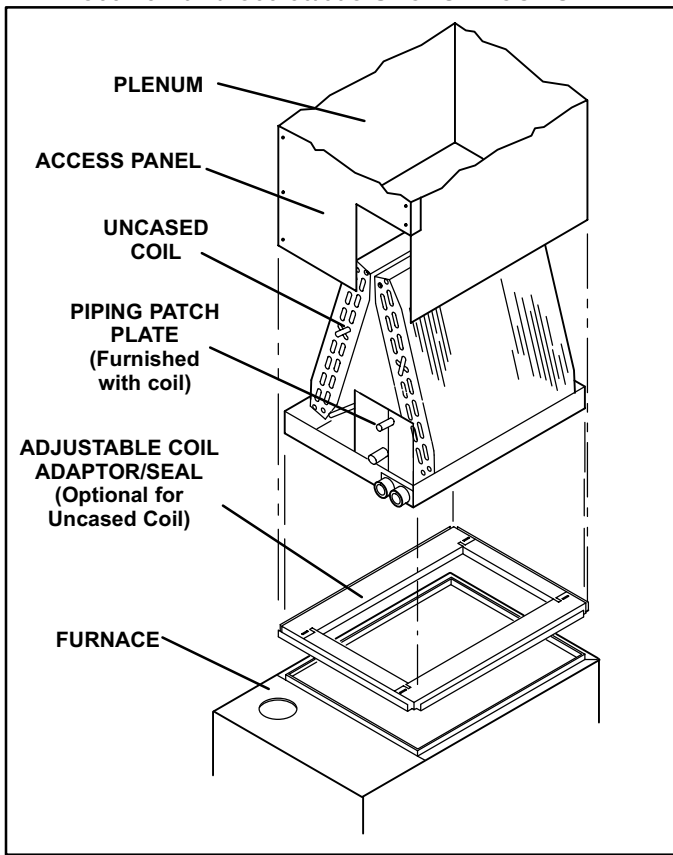
General Data		Model No.	C33-36A-2F	C33-36B-2F	C33-36C-2F	C33-38A-2F	C33-38B-2F	C33-42B-2F
Nominal size - tons			3	3	3	3	3	3.5
Line Connections	Suction/Vapor o.d. - in. (mm) sweat		3/4 (19)	3/4 (19)	3/4 (19)	3/4 (19)	3/4 (19)	7/8 (22.2)
	Liquid o.d. - in. (mm) sweat		3/8 (9.5)	3/8 (9.5)	3/8 (9.5)	3/8 (9.5)	3/8 (9.5)	3/8 (9.5)
	Condensate drain (fpt) - in. (mm)		(2) 3/4 (19)	(2) 3/4 (19)	(2) 3/4 (19)	(2) 3/4 (19)	(2) 3/4 (19)	(2) 3/4 (19)
RFCIV metering device orifice size			0.073	0.073	0.073	0.073	0.073	0.080
Evaporator Coil	Net face area - sq. ft. (m <sup>2</sup> )		4.89 (0.45)	4.89 (0.45)	4.89 (0.45)	4.89 (0.45)	4.89 (0.45)	4.89 (0.45)
	Tube diameter - in. (mm)		3/8 (9.5)	3/8 (9.5)	3/8 (9.5)	3/8 (9.5)	3/8 (9.5)	3/8 (9.5)
	Number of rows		2	2	2	3	3	2
	Fins per inch (m)		18 (709)	18 (709)	18 (709)	14 (552)	14 (552)	18 (709)
Matching Lennox Furnace	Cabinet Width Designation		A	B	C	A	B	B
	Coil and Furnace Cabinet Width - in.		14-1/2	17-1/2	21	14-1/2	17-1/2	17-1/2
	mm		368	445	533	368	445	445
Shipping Data	lbs. (kg) - 1 package		45 (20)	46 (21)	50 (23)	49 (22)	51 (23)	47 (21)

## SPECIFICATIONS - CASED

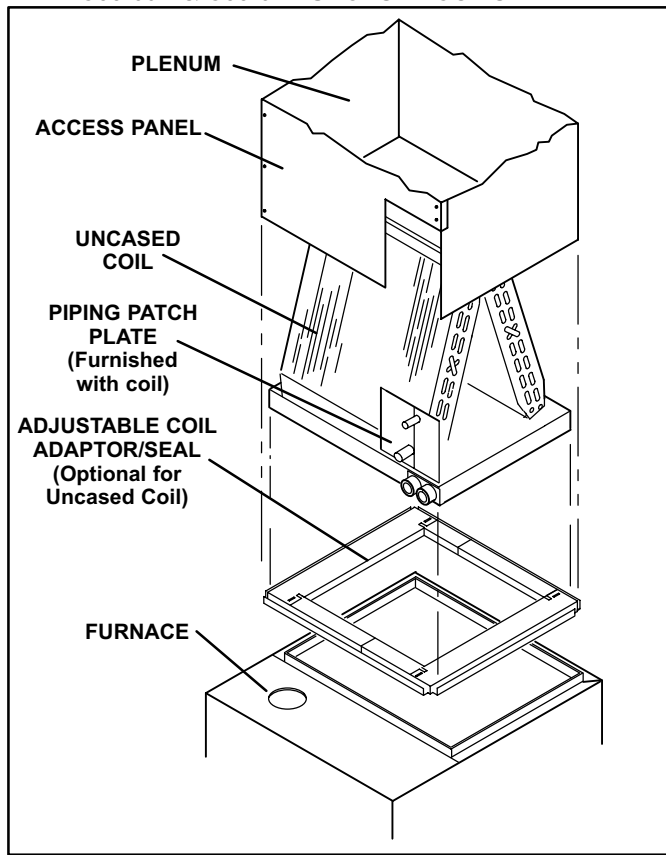
General Data		Model No.	C33-44C-2F	C33-48B-2F	C33-48C-2F	C33-50/60C-2F	C33-60D-2F	C33-62D-2F
Nominal size - tons			3.5	4	4	4/5	5	5
Line Connections	Suction/Vapor o.d. - in. (mm) sweat		7/8 (22.2)	7/8 (22.2)	7/8 (22.2)	7/8 (22.2)	7/8 (22.2)	7/8 (22.2)
	Liquid o.d. - in. (mm) sweat		3/8 (9.5)	3/8 (9.5)	3/8 (9.5)	3/8 (9.5)	3/8 (9.5)	3/8 (9.5)
	Condensate drain (fpt) - in. (mm)		(2) 3/4 (19)	(2) 3/4 (19)	(2) 3/4 (19)	(2) 3/4 (19)	(2) 3/4 (19)	(2) 3/4 (19)
RFCIV metering device orifice size			0.080	0.084	0.084	0.084	0.092	0.092
Evaporator Coil	Net face area - sq. ft. (m <sup>2</sup> )		4.89 (0.45)	4.89 (0.45)	4.89 (0.45)	5.78 (0.54)	6.50 (0.60)	7.58 (0.70)
	Tube diameter - in. (mm)		3/8 (9.5)	3/8 (9.5)	3/8 (9.5)	3/8 (9.5)	3/8 (9.5)	3/8 (9.5)
	Number of rows		3	3	3	3	3	3
	Fins per inch (m)		12 (472)	12 (472)	12 (472)	12 (472)	12 (472)	14 (552)
Matching Lennox Furnace	Cabinet Width Designation		B	B	C	C	D	D
	Coil and Furnace Cabinet Width - in.		21	17-1/2	21	21	24-1/2	24-1/2
	mm		533	445	533	533	622	622
Shipping Data	lbs. (kg) - 1 package		55 (23)	52 (24)	55 (25)	66 (30)	66 (30)	76 (34)

# OPTIONAL ADJUSTABLE COIL ADAPTOR/SEAL APPLICATIONS

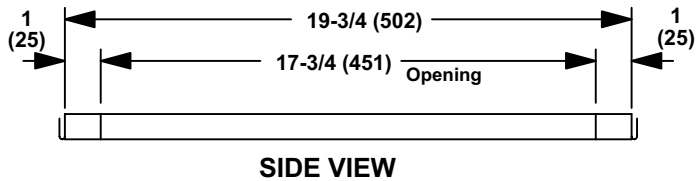
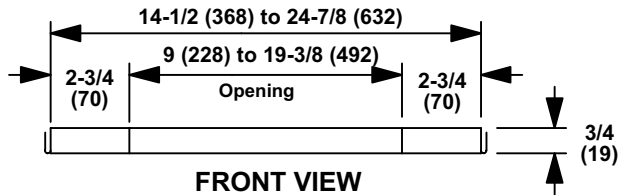
C33-18A thru C33-50/60C UNCASSED COILS



C33-60D & C33-62D UNCASSED COILS

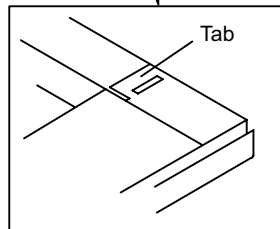
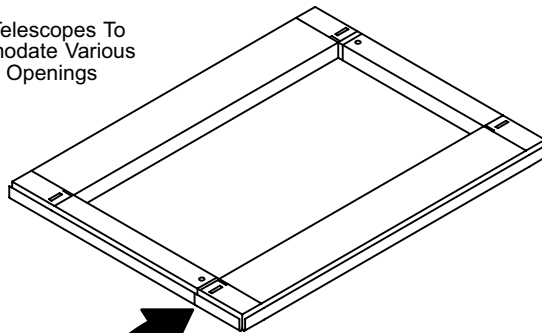


## ADJUSTABLE COIL ADAPTOR/SEAL DIMENSIONS — inches (mm)



## ADJUSTABLE COIL ADAPTOR/SEAL DETAIL

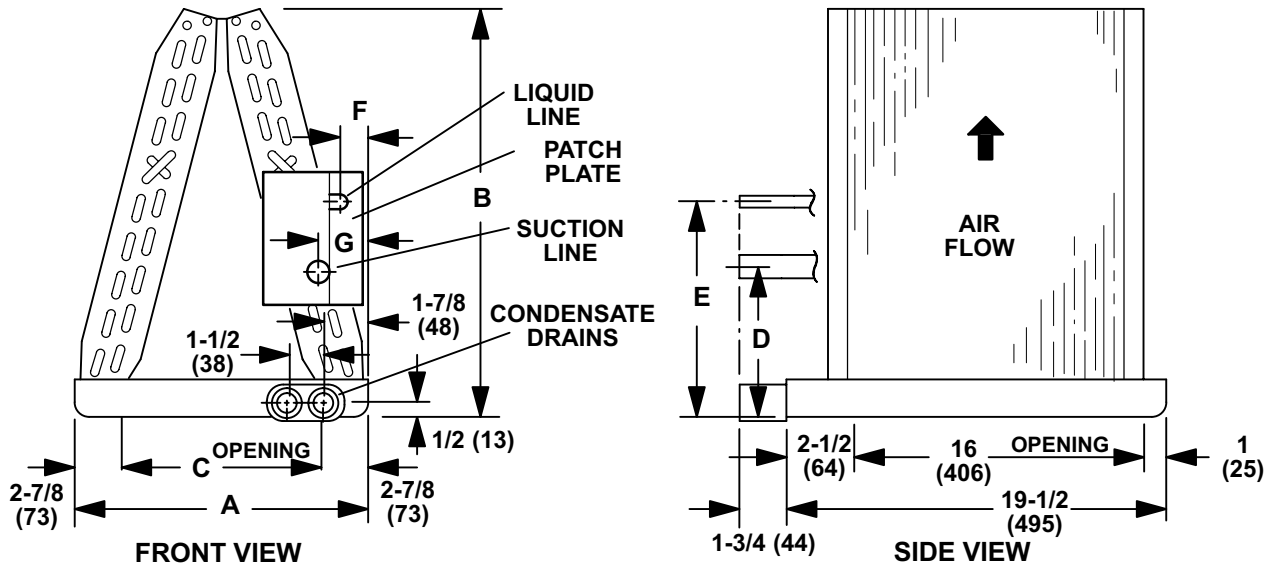
Frame Telescopes To Accommodate Various Furnace Openings



Tab may be bent up 90° for centering of smaller coils.

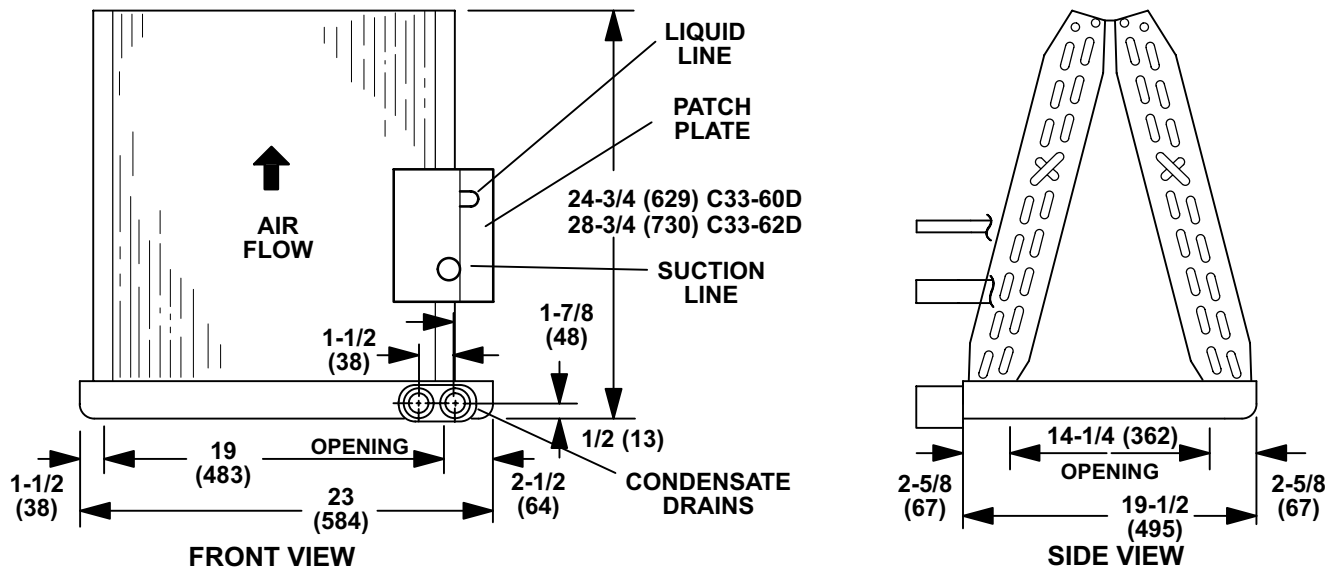
# DIMENSIONS - INCHES (MM) UNCASSED COILS

## C33-18A thru C33-50/60C COILS



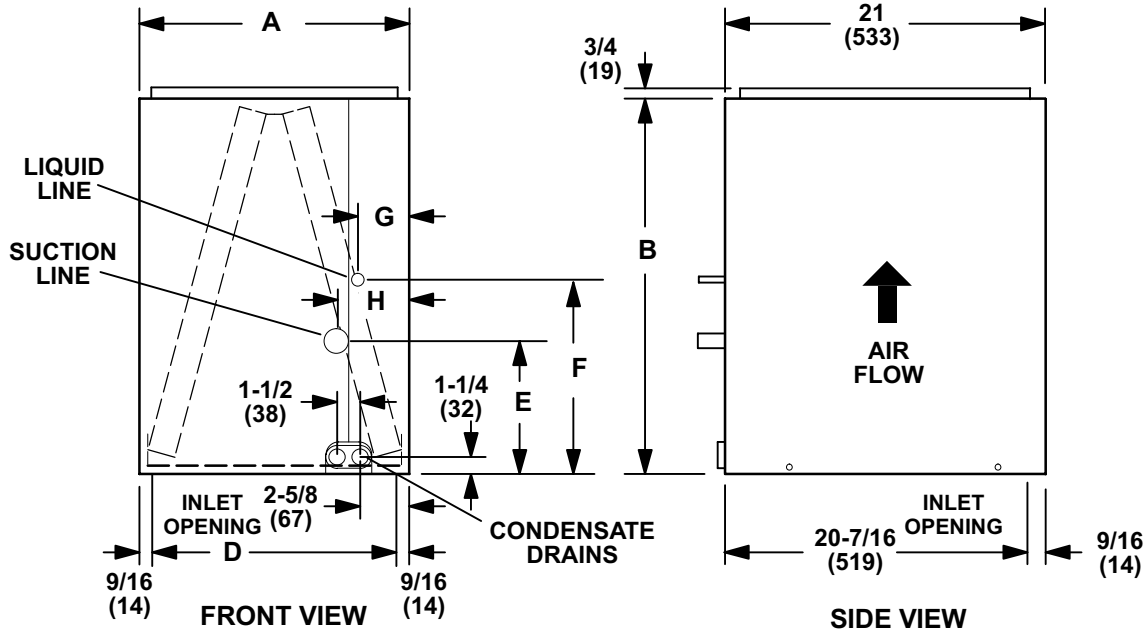
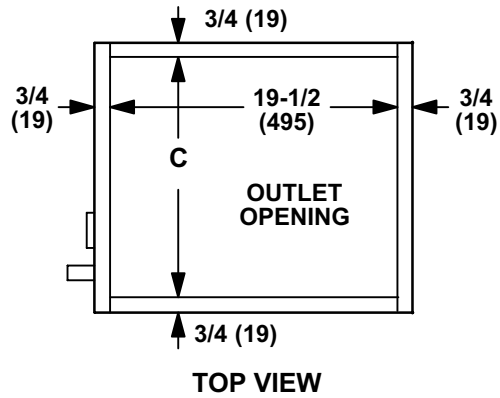
Model No.	A		B		C		D		E		F		G	
	in.	mm	in.	mm	in.	mm	in.	mm	in.	mm	in.	mm	in.	mm
C33-18A-2	13	330	9-3/4	248	9-1/2	235	6-7/8	175	9-7/8	251	7/8	22	2	51
C33-24A-2	13	330	14	356	9-1/4	235	9-5/8	244	12-5/8	321	2	51	3-1/8	79
C33-24B-2	15-1/2	394	13-7/8	352	11-3/4	298	9-5/8	244	12-5/8	321	2	51	3-1/8	79
C33-24C-2	20	508	13-7/8	352	16-1/4	413	9-5/8	244	12-5/8	321	2	51	3-1/8	79
C33-30A-2	13	330	18	457	9-1/4	235	9-5/8	244	12-5/8	321	2	51	3-1/8	79
C33-30B-2	15-1/2	394	17-3/4	451	11-3/4	298	11-5/8	295	14-5/8	371	2	51	3-1/8	79
C33-30C-2	20	508	17-3/4	451	16-1/4	413	11-5/8	295	12-5/8	321	2	51	3-1/8	79
C33-36A-2	13	330	22-1/8	562	9-1/4	235	9-5/8	244	12-5/8	321	2	51	3-1/8	79
C33-36B-2	15-1/2	394	21-7/8	556	11-3/4	298	9-5/8	244	12-5/8	321	2	51	3-1/8	79
C33-36C-2	20	508	21-1/4	540	16-1/4	413	9-5/8	244	12-5/8	321	4-1/8	105	3-1/8	79
C33-38A-2	13	330	22-1/4	565	9-1/4	235	12-1/8	308	15-1/8	384	2	51	3-1/8	79
C33-38B-2	15-1/2	394	22	559	11-3/4	298	12-1/8	308	15-1/8	384	1-3/4	44	2-7/8	73
C33-42B-2	15-1/2	394	21-7/8	556	11-3/4	298	9-5/8	244	12-5/8	321	2	51	3-1/8	79
C33-44C-2	20	508	21-1/2	546	16-1/4	413	12-1/8	308	15-1/8	384	3-3/4	95	4-7/8	124
C33-48B-2	15-1/2	394	22-1/8	562	11-3/4	298	9-1/8	232	12-1/8	308	2	51	3-1/8	79
C33-48C-2	20	508	21-1/2	546	16-1/4	413	12-1/8	308	15-1/8	384	2	51	3-1/8	79
C33-50/60C-2	20	508	24-3/4	629	16-1/4	413	15-7/8	403	18-7/8	479	2	51	3-1/8	79

## C33-60D AND C33-62D MODELS



## DIMENSIONS - INCHES (MM) CASED COILS

**NOTE-** C33-60D and C33-62D coil are positioned in cabinet with coil running left to right, all other coil sizes are positioned like drawing.



Model No.	A		B		C		D		E		F		G		H	
	in.	mm	in.	mm	in.	mm	in.	mm	in.	mm	in.	mm	in.	mm	in.	mm
C33-18A-2F	14-1/2	368	12-1/2	318	13	330	13-3/8	340	7-1/2	191	10-1/2	267	1-3/4	44	2-7/8	73
C33-24A-2F	14-1/2	368	16-1/2	419	13	330	13-3/8	340	10-1/4	260	13-1/4	337	2-3/4	70	3-7/8	98
C33-24B-2F	17-1/2	445	16-1/2	419	16	406	16-3/8	416	10-1/4	260	13-1/4	337	3	76	4-1/8	105
C33-24C-2F	21	533	16-1/2	419	19-1/2	495	19-7/8	505	10-1/4	260	13-1/4	337	3	76	4-1/8	105
C33-30A-2F	14-1/2	368	20-1/2	521	13	330	13-3/8	340	10-1/4	260	13-1/4	337	2-3/4	70	3-7/8	98
C33-30B-2F	17-1/2	445	20-1/2	521	16	406	16-3/8	416	12-1/4	311	15-1/4	387	3	76	4-1/8	105
C33-30C-2F	21	533	20-1/2	521	19-1/2	495	19-7/8	505	12-1/4	311	15-1/4	387	3	76	4-1/8	105
C33-36A-2F	14-1/2	368	24-1/2	622	13	330	13-3/8	340	10-1/4	260	13-1/4	337	2-3/4	70	3-7/8	98
C33-36B-2F	17-1/2	445	24-1/2	622	16	406	16-3/8	416	10-1/4	260	13-1/4	337	3	76	4-1/8	105
C33-36C-2F	21	533	24-1/2	622	19-1/2	495	19-7/8	505	10-1/4	260	13-1/4	337	4-3/4	121	3-5/8	92
C33-38A-2F	14-1/2	368	24-1/2	622	13	330	13-3/8	340	12-3/4	324	15-3/4	400	2-3/4	70	3-7/8	98
C33-38B-2F	17-1/2	445	24-1/2	622	16	406	16-3/8	416	12-3/4	324	15-3/4	400	2-3/4	70	3-7/8	98
C33-42B-2F	17-1/2	445	24-1/2	622	16	406	16-3/8	416	10-1/4	260	13-1/4	337	3	76	4-1/8	105
C33-44C-2F	21	533	24-1/2	622	19-1/2	495	19-7/8	505	12-3/4	324	15-3/4	400	4-1/4	108	5-3/8	137
C33-48B-2F	17-1/2	445	24-1/2	622	16	406	16-3/8	416	9-3/4	248	12-3/4	324	3	76	4-1/8	105
C33-48C-2F	21	533	24-1/2	622	19-1/2	495	19-7/8	505	12-3/4	324	15-3/4	400	2-1/2	64	3-5/8	92
C33-50/60C-2F	21	533	27-1/2	699	19-1/2	495	19-7/8	505	16-1/2	419	19-1/2	495	2-1/2	64	3-5/8	92
C33-60D-2F	24-1/2	622	25-1/2	648	23	584	23-3/8	594	11-7/8	302	14-7/8	518	1-5/8	41	2-3/4	70
C33-62D-2F	24-1/2	622	29-1/2	749	23	584	23-3/8	594	18-7/8	479	21-7/8	556	1-5/8	41	2-3/4	70